



IPN 629 (Polycom) Connection Guide

Compatible Desk Phones:

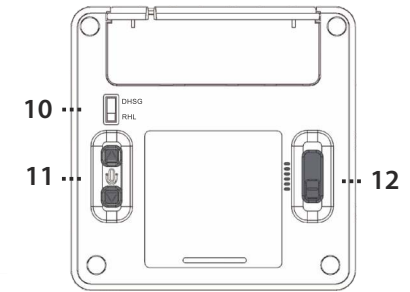
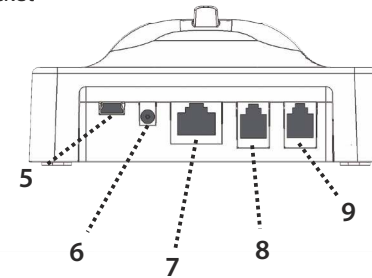
POLYCOM

Polycom SP IP320
 Polycom SP IP321
 Polycom SP IP330
 Polycom SP IP331
 Polycom SP IP335
 Polycom SP IP430
 Polycom SP IP450
 Polycom SP IP550
 Polycom SP IP560
 Polycom SP IP650
 Polycom SP IP670
 Polycom VVX1500

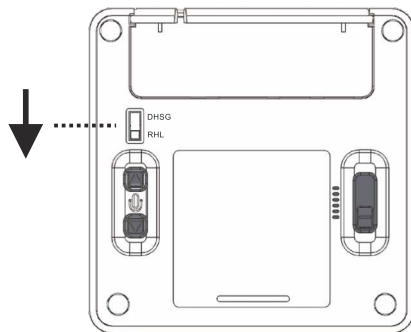
W9xx Base Layout:

A. Universal base station

- | | |
|----------------------------|-------------------------------------|
| 1. Battery Indicator | 7. EHS port |
| 2. PC button | 8. Telephone connector ('Tel' port) |
| 3. Telephone (TEL) button | 9. Handset connector |
| 4. Online indicator | 10. EHS Selection switch |
| 5. USB connector (PC port) | 11. Microphone volume up/down |
| 6. Power socket | 12. Wiring switch |



Step 1. Switch EHS Selection Switch to RHL Setting



Step 2. Set the Polycom telephone to 'Jabra DSHG' mode. On the telephone:

- Press 'Menu'
- Select: Settings>Basic>Preferences>Headset>Analog Headset
- Press the select key to activate 'Jabra DSHG' mode

Step 3. Connect your Polycom EHS Cable to the EHS socket on the Headset base and the AUX socket on the base of the telephone

Step 4. Connect the headset cable from the TEL port on the Headset base to the Headset port on the telephone

